

一般公差 TOLERANCES X ±0.5 .XX ±0.15 .X ±0.25 .XXX ±0.1 ANGLES ±2°		宏致電子股份有限公司 Aces Electronic Co.,Ltd.	
檢驗尺寸標示 SYMBOLS Ⓞ Ⓢ INDICATE CLASSIFICATION DIMENSION Ⓞ MARK IS CRITICAL DIM. Ⓢ MARK IS MAJOR DIM.	品名 (TITLE) RIGHT ANGLE HEADER/GUIDE PIN POWER/SIGNAL/POWER 圖號 (DWG.NO) 52901-XXXXXXX-XXX	製圖 (DR) '11/07/14 Simon Wu 審核 (CHKD) '11/07/14 Mark 核准 (APPD) '11/07/14 Nick	張數 (SHEET) 1 OF 3 單位 (UNITS) mm 比例 (SCALE) 1:1 表面處理 (FINISH)
		尺寸 (SIZE) A4 版數 (REV) 1	

DIM	LENGTH FORMULAS (SEE NOTES 5)
DIM "A"	6.35*PWR LEFT+2.54*SIGNAL+6.35*PWR RIGHT+(16.50 STANDARD) OR (9.50 SHORT)
DIM "B"	6.35*PWR LEFT+2.54*SIGNAL+6.35*PWR RIGHT+(8.88 STANDARD) OR (5.05 SHORT)
DIM "C"	6.35*PWR LEFT+2.54*SIGNAL+6.35*PWR RIGHT+(7.62 STANDARD) OR (3.58 SHORT)
DIM "D"	6.35*PWR LEFT+(9.52 STANDARD) OR (6.02 SHORT)
DIM "E"	6.35*PWR LEFT+2.54*SIGNAL+(11.43 STANDARD) OR (7.93 SHORT)
DIM "F"	6.35*PWR LEFT+2.54*SIGNAL+6.35*PWR RIGHT+(17.26 STANDAR) OR (10.26 SHORT)
DIM "G"	6.35*PWR LEFT+(5.71 STANDARD) OR (3.80 SHORT)
DIM "H"	6.35*PWR LEFT+2.54*SIGNAL+(6.35 STANDARD) OR (4.43 SHORT)

NOTES:

1. MATERIAL:

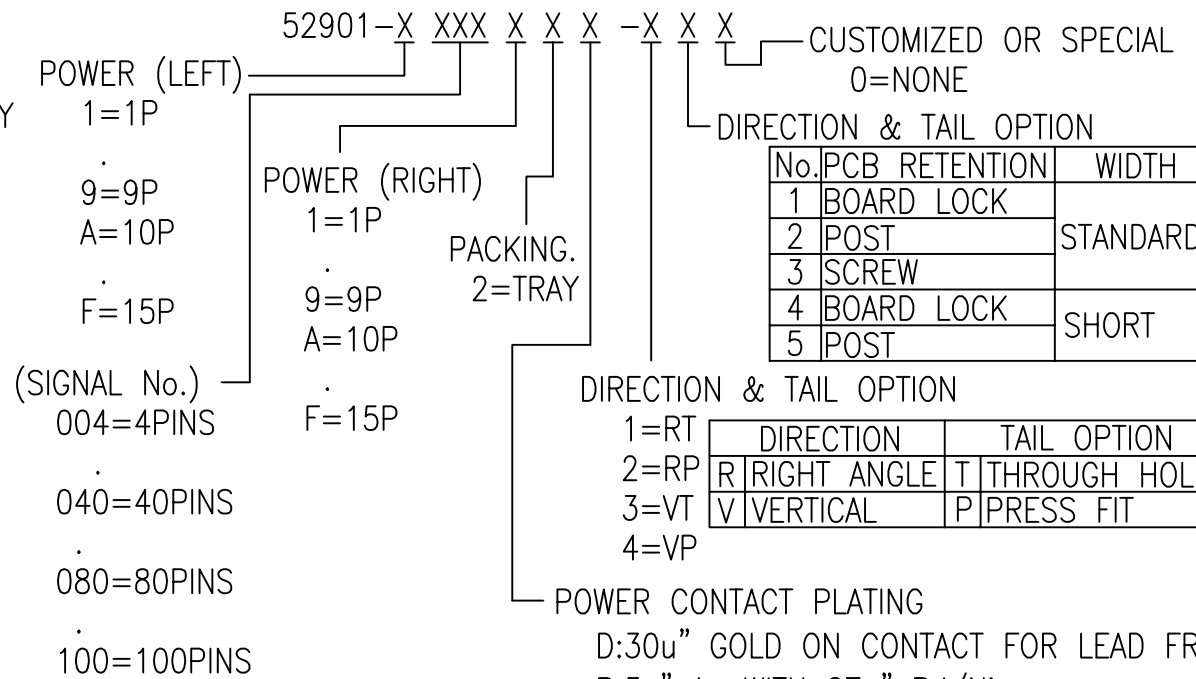
- 1-1 HOUSING:HIGH TEMP THERMOPLASTIC,UL94V-0.
 - 1-2 POWER CONTACT:HIGH PERFORMANCE COPPER ALLOY
 - 1-3 SIGNAL CONTACT:COPPER ALLOY
- PLATING : 50u" MIN NICKEL UNDERPLATING OVER ALL

2. REFLOW SOLDER CAPABLE TO 260°C PER ACES SPEC.

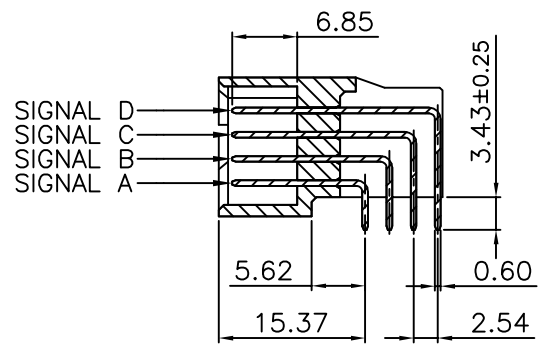
3. SPEC. PLS. REFER TO PS-5290X-XXXXX

4. PACKAGE PLS. REFER TO 52901-XXXXX-TRAY

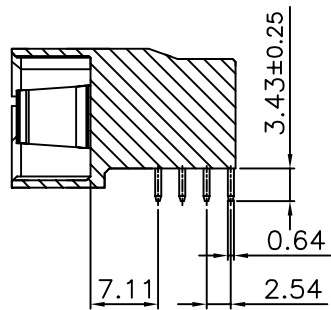
5. PART NUMBER



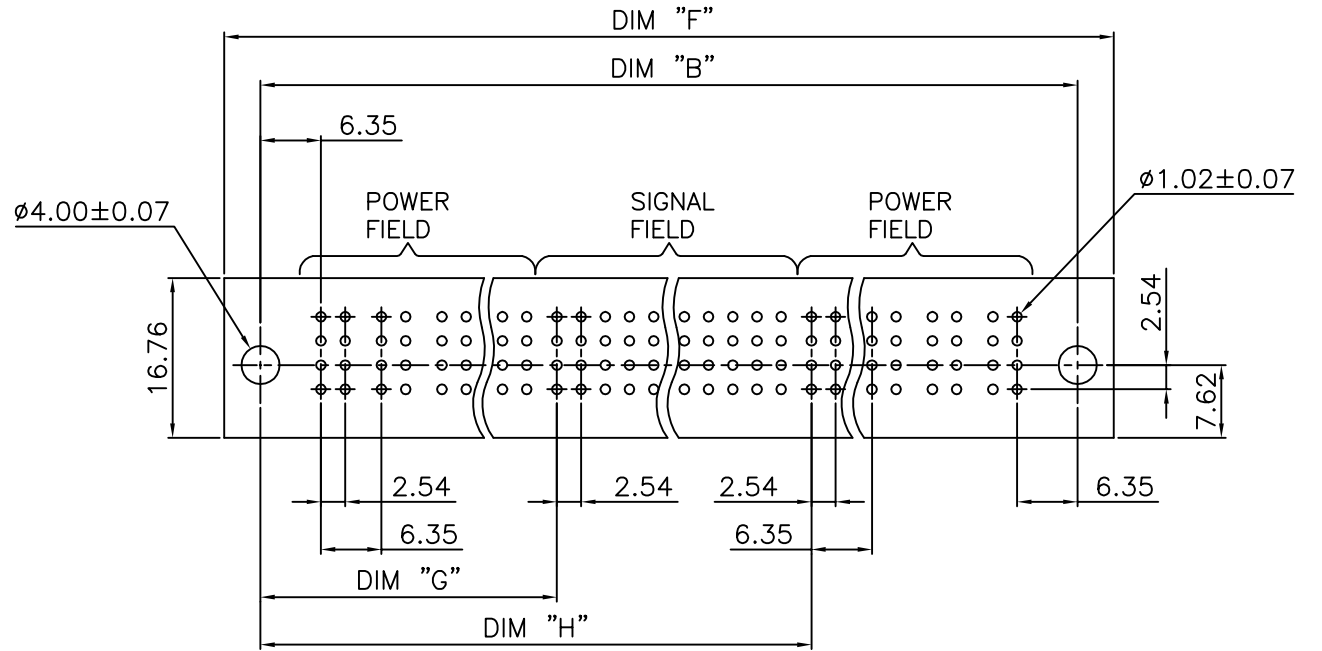
一般公差 TOLERANCES X ±0.5 .XX ±0.15 .X ±0.25 .XXX ±0.1 ANGLES ±2°		宏致電子股份有限公司 Aces Electronic Co.,Ltd.	
檢驗尺寸標示 SYMBOLS INDICATE CLASSIFICATION DIMENSION	品名 (TITLE) RIGHT ANGLE HEADER/GUIDE PIN POWER/SIGNAL/POWER	製圖 (DR) '11/07/14 Simon Wu	審核 (CHKD) '11/07/14 Mark
MARK IS CRITICAL DIM. MARK IS MAJOR DIM.	圖號 (DWG.NO) 52901-XXXXXXX-XXX	核准 (APPD) '11/07/14 Nick	
表面處理 (FINISH)	比例 (SCALE) 單位 (UNITS) 1:1 mm		張數 (SHEET) SIZE REV 2 OF 3 A4 1



SECTION B-B



SECTION A-A



RECOMMEND P.C.B LAYOUT
GENERAL TOLERANCE ± 0.05

一般公差 TOLERANCES X ± 0.5 XX ± 0.15 Y ± 0.25 .XXX ± 0.1 ANGLES $\pm 2^\circ$		宏致電子股份有限公司 Aces Electronic Co.,Ltd.	
檢驗尺寸標示 SYMBOLS \odot \ominus INDICATE CLASSIFICATION DIMENSION	品名 (TITLE) RIGHT ANGLE HEADER/GUIDE PIN POWER/SIGNAL/POWER	製圖 (DR) '11/07/14 Simon Wu	審核 (CHKD) '11/07/14 Mark
\odot MARK IS CRITICAL DIM. \ominus MARK IS MAJOR DIM.	圖號 (DWG.NO) 52901-XXXXXXX-XXX	核准 (APPD) '11/07/14 Nick	
表面處理 (FINISH)	比例 (SCALE) 1:1	單位 (UNITS) mm	張數 (SHEET) 3 OF 3
			尺寸 (SIZE) A4
			版數 (REV) 1